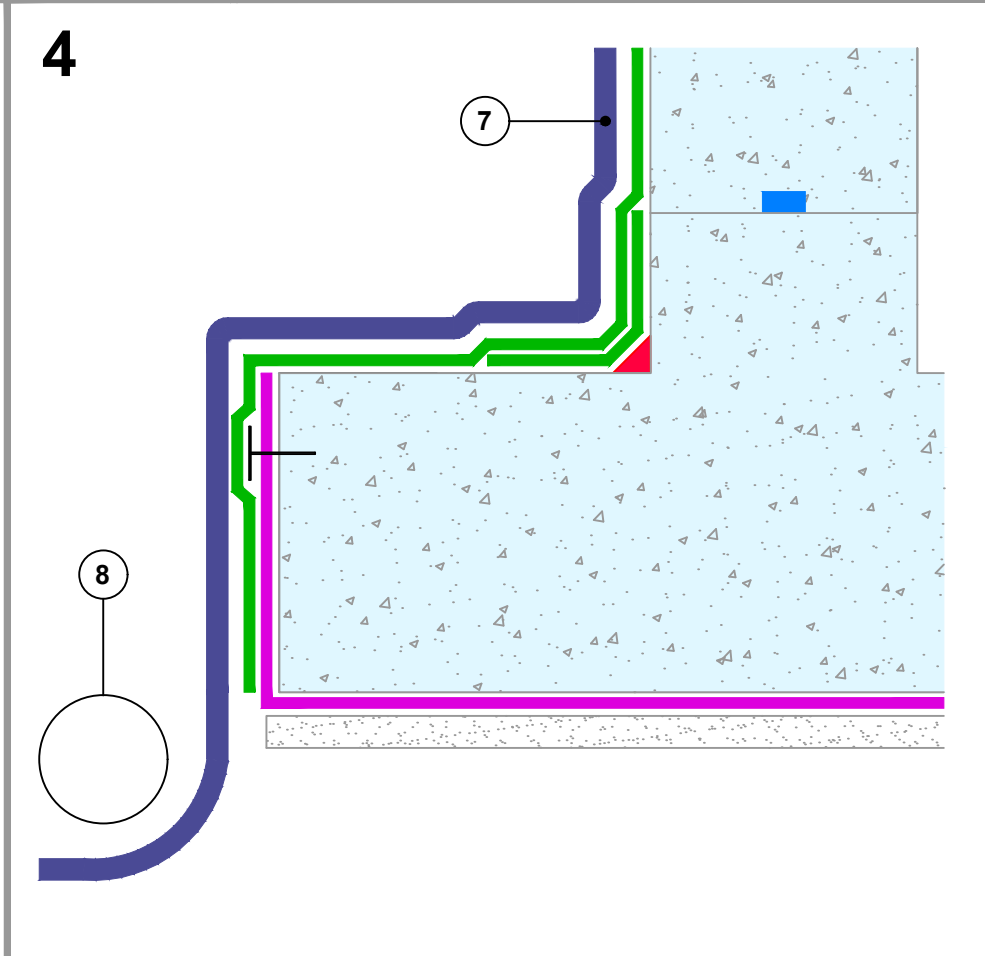
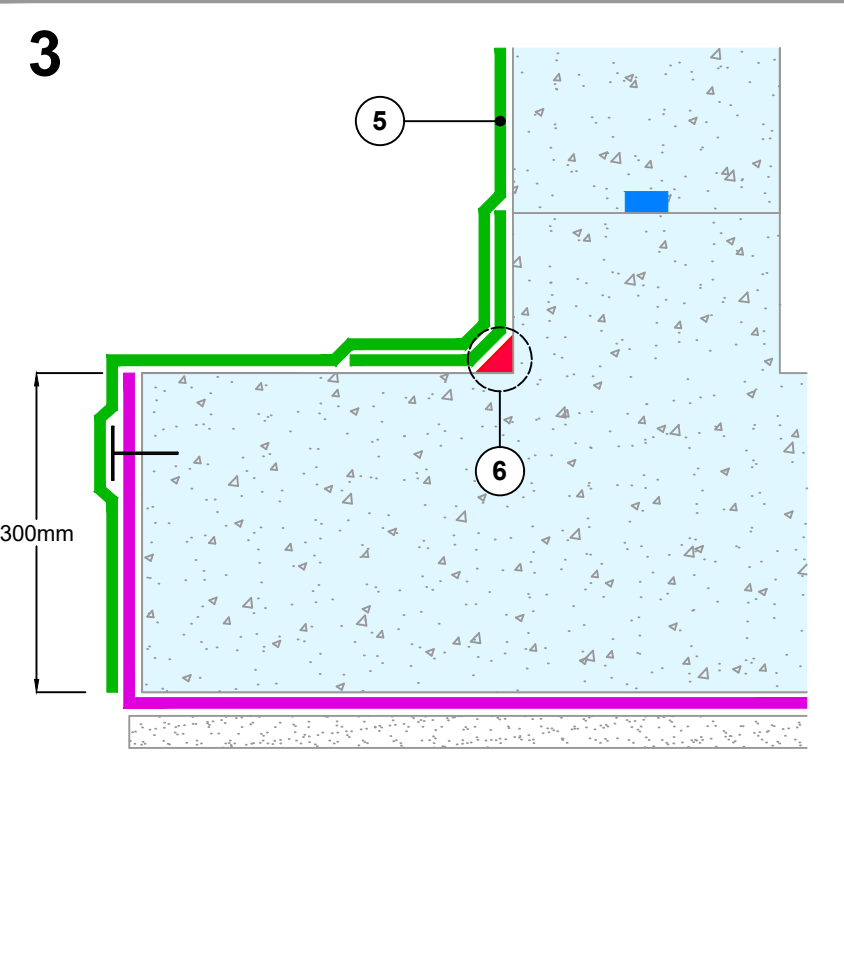
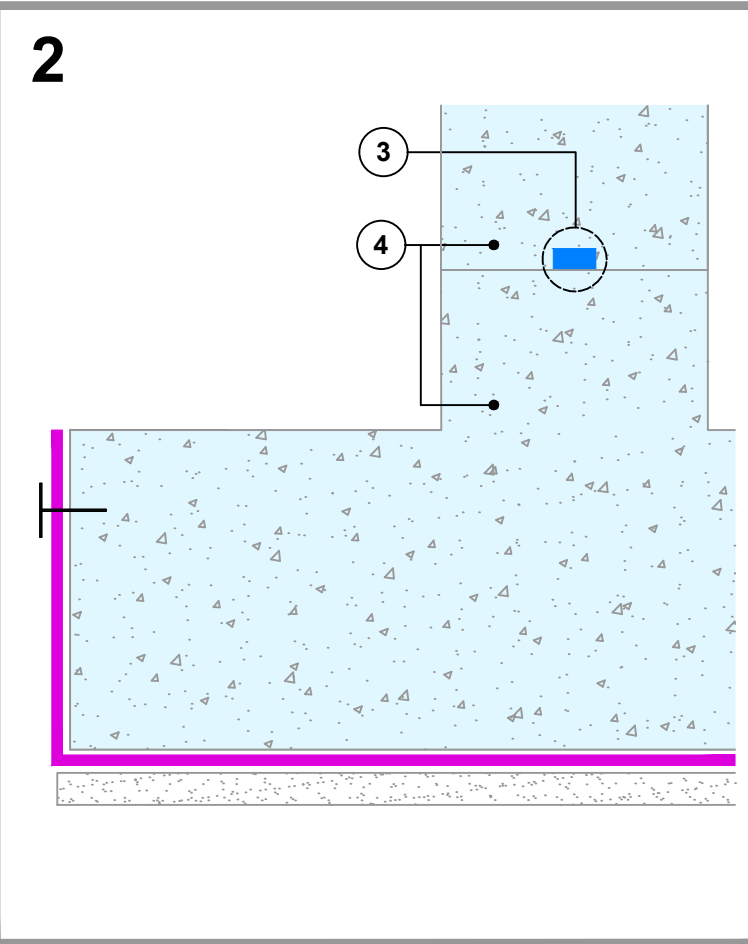
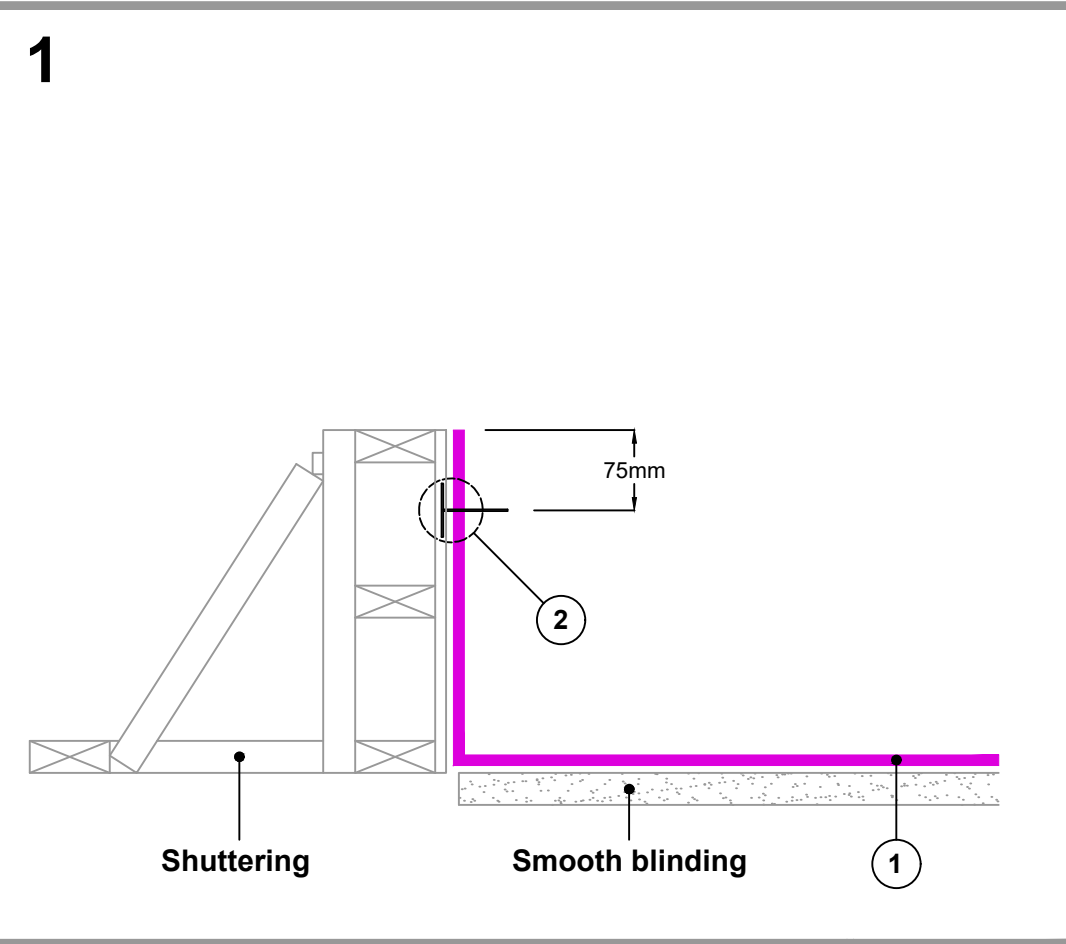


Key to materials:	
1	Visqueen Ultimate GeoSeal
2	Visqueen Ultimate Retaining Discs at 400mm centres
3	Visqueen IGW10 Waterstop bedded in Visqueen Waterstop Adhesive
4	Visqueen IGW Watertight Concrete
5	Visqueen Gas Resistant Self Adhesive Membrane on Visqueen HP Tanking Primer
6	Visqueen Axiom UniSeal fillet, 35mm x 35mm
7	Visqueen Protect&Drain, 12mm
8	Maintainable land drain by others



**CRITICAL GUIDANCE NOTES**

Visqueen Guidance Details are for illustration purposes only. It is the lead designer's responsibility to ensure Guidance Details are incorporated correctly into construction drawings.

Visqueen take no project design liability, or responsibility for the use of Guidance Details. Visqueen have no control over the situation in which the products are installed. Visqueen provide a Contract Design Service where project specific drawings can be produced. Contact Visqueen Technical Services for further information.

Site construction sequencing should be assessed before the appropriate Guidance Detail is selected and approved by the lead designer.

All Visqueen materials must be installed in strict accordance with the Visqueen Product Datasheets and applicable third party certificates.

Radon protection in accordance with national building regulations and BR211:2023.

Further protection such as ventilation measures (not shown) may be necessary to meet the requirements of BS8485:2015+A1:2019.

Drawing not to scale, use figured dimensions only. All figured dimensions are in millimetres.

**Guidance Detail**

Date: October 2023

Drawing No: SW-GRSAM-01

Revision:      Drawn by: JR

Approved by: SD


 Tel: 0333 202 6800  
 enquiries@visqueen.com  
 www.visqueen.com

© Copyright reserved. This drawing may not be reproduced or amended without prior written permission.



**CONCRETE TOE WATERPROOFING  
STEP BY STEP INSTALLATION**